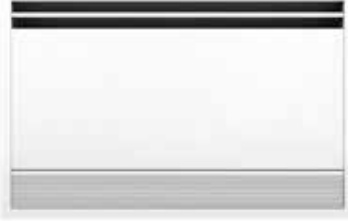


AURAL IN

BUILT-IN HYDRONIC FAN COIL
 PERFECT SOLUTION FOR HEATING AND COOLING
 MOTOR WITH DC INVERTER TECHNOLOGY
 AVAILABLE WITH LEFT OR RIGHT HYDRAULIC CONNECTIONS
 5 DIFFERENT POWER SIZES



- ▶ **Wall or ceiling installation**
- ▶ **Reduced depth for installation in any wall and false ceiling**
- ▶ **Extremely silent**
- ▶ **Reduced electricity consumption**
- ▶ **Modulated air flow**
- ▶ **Wide range of accessories to allow maximum installation versatility**
 -) Super Silence' tangential fan for maximum silence
 -) Copper-aluminium heat exchange coil and brass manifolds with integrated air vent
 -) Honeycomb air filter easy to remove for cleaning
 -) 3/4" Eurocone hydraulic connections. Right or left connection versions available
 -) Standard condensate drip tray



WALL-MOUNTED USER INTERFACE

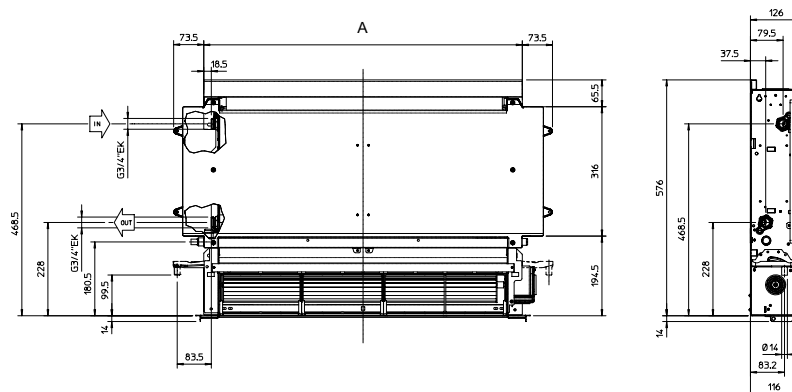
- ▶ *Modulating speed control*
- ▶ *Touch screen interface*
- ▶ *Manages up to 30 units*
- ▶ *RS 485 Port*
- ▶ *Available in black or white version*

Available in the following models:



Model	Code	Hydraulic connections side	Dimensions W x H x D	Gross weight
			mm	kg
In 20	LAU0MIN02S	LH	525x576x126	10
	LAU0MIN02D	RH		
In 40	LAU0MIN04S	LH	725x576x126	13
	LAU0MIN04D	RH		
In 60	LAU0MIN06S	LH	925x576x126	16
	LAU0MIN06D	RH		
In 80	LAU0MIN08S	LH	1125x576x126	19
	LAU0MIN08D	RH		
In 100	LAU0MIN0AS	LH	1325x576x126	22
	LAU0MIN0AD	RH		

DIMENSIONS



Dimensions	um	IN 20	IN 40	IN 60	IN 80	IN 100
A	mm	378	578	778	978	1178

Technical data	um	IN 20	IN 40	IN 60	IN 80	IN 100
THERMAL DATA IN COOLING 7/12 (1)						
Total cooling capacity	kW	0,91	2,12	2,81	3,30	3,71
Sensible cooling power	kW	0,71	1,54	2,11	2,65	2,90
Cooling water flow rate	l/h	156	363	481	565	636
Cooling water pressure drop	kPa	12,1	8,2	17,1	18,0	21,2
THERMAL DATA IN HEATING 45/40 (2)						
Heating output	kW	1,02	2,21	3,02	3,81	4,32
Heating water flow rate	l/h	180	390	532	672	762
Water pressure drop in heating	kPa	9,1	9,2	19,1	21,2	23,3
THERMAL DATA IN HEATING 70/60 (3)						
Heating output	kW	2,06	4,43	5,95	7,68	8,71
Heating water flow rate	l/h	182	390	523	676	767
Water pressure drop in heating	kPa	8,8	8,9	18,3	20,4	22,4
HYDRAULIC DATA						
Coil water content	l	0,47	0,80	1,13	1,46	1,80
Maximum pressure	bar	10				
Hydraulic connections	-	3/4" EUROCONE				
AERAUIC DATA (4)						
Air flow rate at maximum speed	m³/h	146	294	438	567	663
Air flow rate at medium speed (AUTO mode)	m³/h	90	210	318	410	479
Air flow rate at minimum speed	m³/h	49	118	180	247	262
Maximum available static pressure	Pa	10	10	13	13	13
ELECTRIC DATA						
Supply voltage	V/ph/Hz	230/1/50				
Maximum electrical power consumption	W	11	19	20	29	33
Maximum absorbed power	A	0,11	0,16	0,18	0,26	0,28
Maximum electrical power at minimum speed	W	5	4	6	5	6
ACOUSTIC DATA						
Sound power at maximum speed (5)	dB(A)	54	54	54	55	57
Sound pressure at maximum speed (6)	dB(A)	41	42	44	46	47
Sound pressure at average speed (6)	dB(A)	33	34	34	35	38
Sound pressure at minimum speed (6)	dB(A)	24	25	26	26	28

(1) Water temperature 7/12°C, room temperature 27°C d.b. and 19°C w.b. (according to EN1397)

(2) Water temperature 45/40°C, room temperature 27°C d.b. and 19°C w.b. (according to EN1397)

(3) Water temperature 70/60°C, room temperature 27°C d.b. and 19°C w.b. (according to EN1397)

(4) Flow rate measured with clean filters

(5) Sound power measured according to EN16583

(6) Sound pressure measured at a distance of 1 m according to ISO7779

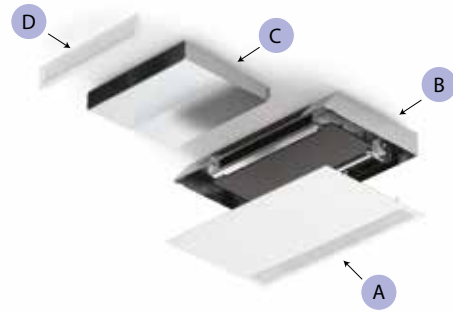


BUILT-IN CONFIGURATION OPTIONS

Wall built-in installation



Ceiling built-in installation



A Vertical installation frame panel.
Cod. LAPANVER00 ÷ LAPANVER04

B Built-in frame panel.
Cod. LATELINC00 ÷ LATELINC04

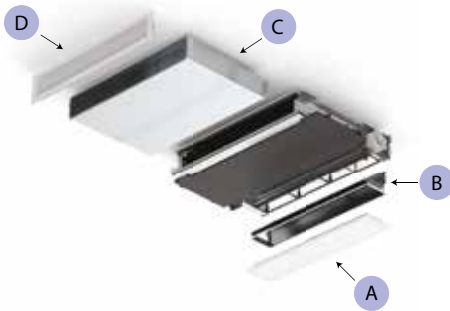
A Horizontal installation frame panel.
Cod. LAPANORI00 ÷ LAPANORI04

B Built-in frame panel
Cod. LATELINC00 ÷ LATELINC04

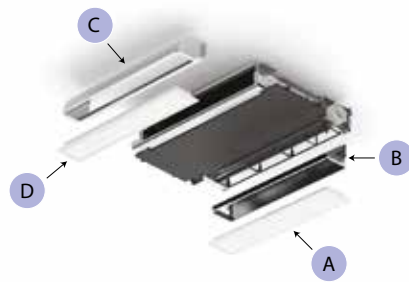
C Telescopic outlet channel.
Cod. LACANMAN00 ÷ LACANMAN04

D Outlet nozzle.
Cod. LABOCCMAN00 ÷ LABOCCMAN04

Ceiling built-in installation



Ceiling built-in installation



A Aspiration grid.
Cod. LAGRIASP00 ÷ LAGRIASP04

C Telescopic outlet channel.
Cod. LACANMAN00 ÷ LACANMAN04

B Air aspiration connection.
Cod. LARACASP00 ÷ LARACASP04

D Outlet nozzle.
Cod. LABOCCMAN00 ÷ LABOCCMAN04

A Aspiration grid.
Cod. LAGRIASP00 ÷ LAGRIASP04

B Air aspiration connection.
Cod. LARACASP00 ÷ LARACASP04

C 90° flow channel.
Cod. LACANMAN05 ÷ LACANMAN09

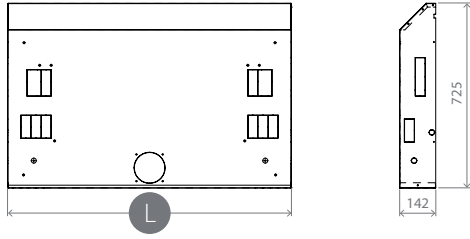
D Outlet nozzle.
Cod. LABOCCMAN00 ÷ LABOCCMAN04

Item	Description	Code
	On-board electronic board for wall control connection (LACOMPAR00 and LACOMPAR01)	LASCHEDA00
	Wall-mounted black (to be combined with LASCHEDA00 board)	LACOMPAR00
	Wall-mounted white (to be combined with LASCHEDA00 board)	LACOMPAR01
	On-board electronic board for 3-speed thermostats connection	LASCHEDA01

Item	Description	Code
	Lockshield assembly - 2-way motor valve	LAGRUPDE01
	Lockshield assembly - 3-way motor valve	LAGRUPDE00
	Adapters for flat gasket	LAGUAPIA00

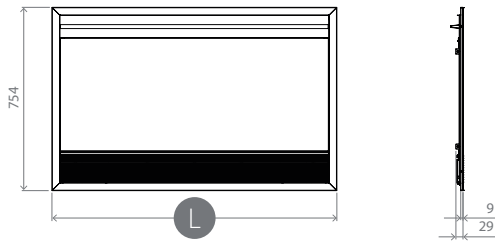
INSTALLATION ACCESSORIES

Built-in frame panel



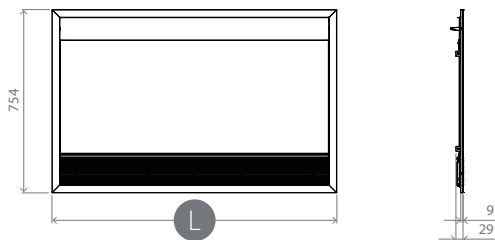
Description	L(mm)	Code
Built-in frame panel 20	714	LATELINC00
Built-in frame panel 40	914	LATELINC01
Built-in frame panel 60	1114	LATELINC02
Built-in frame panel 80	1314	LATELINC03
Built-in frame panel 100	1514	LATELINC04

Frame panel for vertical installation



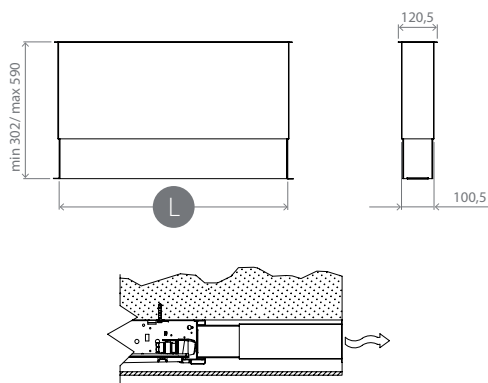
Description	L(mm)	Code
Frame panel vertical installation 20	772	LAPANVER00
Frame panel vertical installation 40	972	LAPANVER01
Frame panel vertical installation 60	1172	LAPANVER02
Frame panel vertical installation 80	1372	LAPANVER03
Frame panel vertical installation 100	1572	LAPANVER04

Frame panel for horizontal installation



Description	L(mm)	Code
Frame panel horizontal installation 20	772	LAPANORI00
Frame panel horizontal installation 40	972	LAPANORI01
Frame panel horizontal installation 60	1172	LAPANORI02
Frame panel horizontal installation 80	1372	LAPANORI03
Frame panel horizontal installation 100	1572	LAPANORI04

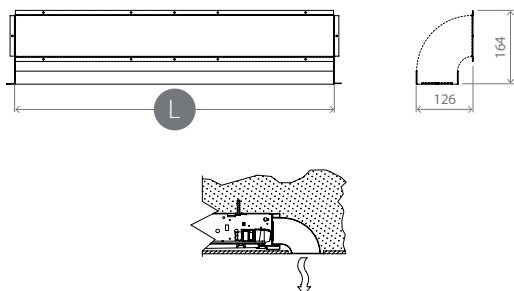
Telescopic outlet channel for horizontal installation in false ceilings



Description	L(mm)	Code
Telescopic outlet channel for horizontal installation in false ceilings 20	307,5	LACANMAN00
Telescopic outlet channel for horizontal installation in false ceilings 40	507,5	LACANMAN01
Telescopic outlet channel for horizontal installation in false ceilings 60	707,5	LACANMAN02
Telescopic outlet channel for horizontal installation in false ceilings 80	907,5	LACANMAN03
Telescopic outlet channel for horizontal installation in false ceilings 100	1107,5	LACANMAN04

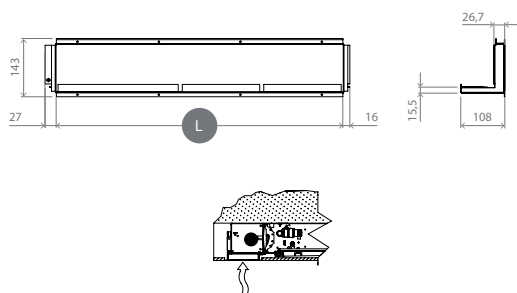
INSTALLATION ACCESSORIES

90° outlet channel for horizontal installation in false ceilings



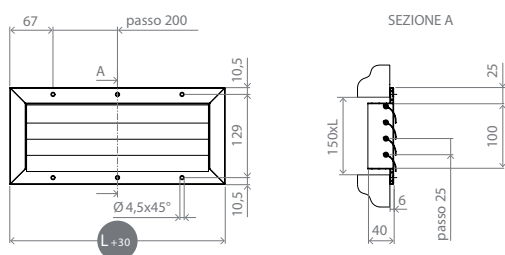
Description	L(mm)	Code
90° flow channel for horizontal installation in false ceilings 20	307,5	LACANMAN05
90° flow channel for horizontal installation in false ceilings 40	507,5	LACANMAN06
90° flow channel for horizontal installation in false ceilings 60	707,5	LACANMAN07
90° flow channel for horizontal installation in false ceilings 80	907,5	LACANMAN08
90° flow channel for horizontal installation in false ceilings 100	1107,5	LACANMAN09

Aspiration air connection



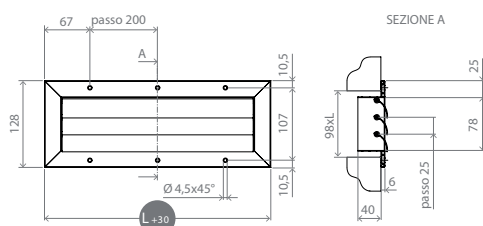
Description	L(mm)	Code
Aspiration air connection 20	305	LARACASP00
Aspiration air connection 40	505	LARACASP01
Aspiration air connection 60	705	LARACASP02
Aspiration air connection 80	905	LARACASP03
Aspiration air connection 100	1105	LARACASP04

Aspiration grid with curved fins



Description	L(mm)	Code
Aspiration grid with curved fins 20	304	LAGRIASP00
Aspiration grid with curved fins 40	504	LAGRIASP01
Aspiration grid with curved fins 60	704	LAGRIASP02
Aspiration grid with curved fins 80	904	LAGRIASP03
Aspiration grid with curved fins 100	1104	LAGRIASP04

Delivery outlet with curved fins



Description	L(mm)	Code
Delivery nozzle with curved fins 20	304	LABOCMAN00
Delivery nozzle with curved fins 40	504	LABOCMAN01
Delivery nozzle with curved fins 60	704	LABOCMAN02
Delivery nozzle with curved fins 80	904	LABOCMAN03
Delivery nozzle with curved fins 100	1104	LABOCMAN04

